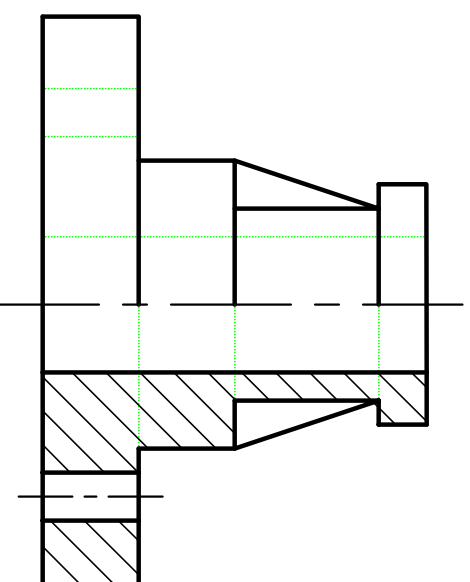
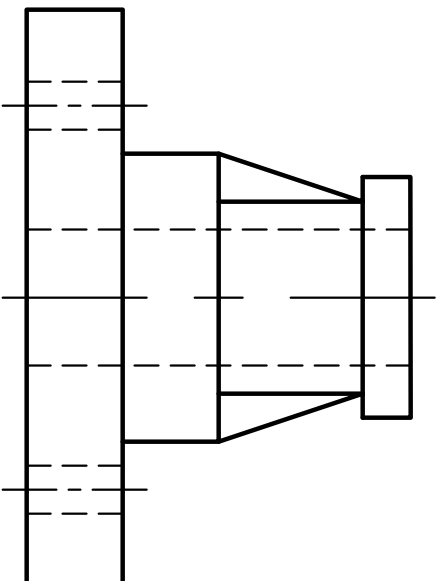
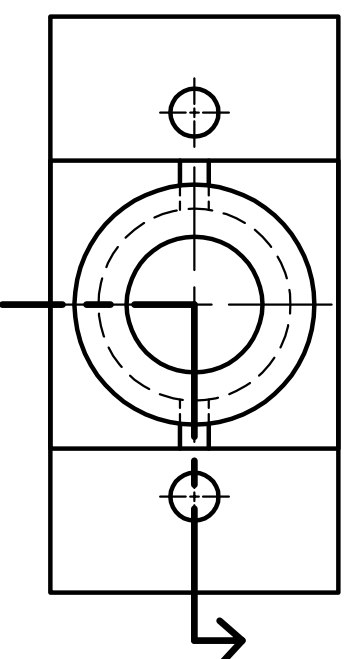
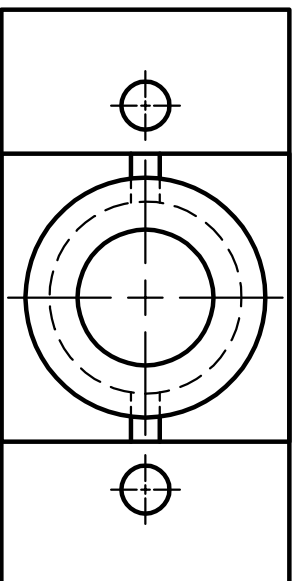


COMPLETE THE HALF SECTION FRONT VIEW of this single object.
Include the proper cutting plane and centerlines.



SCALE 1:1

SECTION1 Practice Problem
KEY